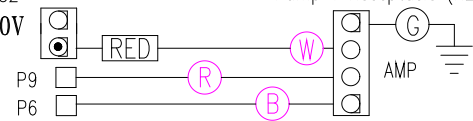


GND N L2 L1

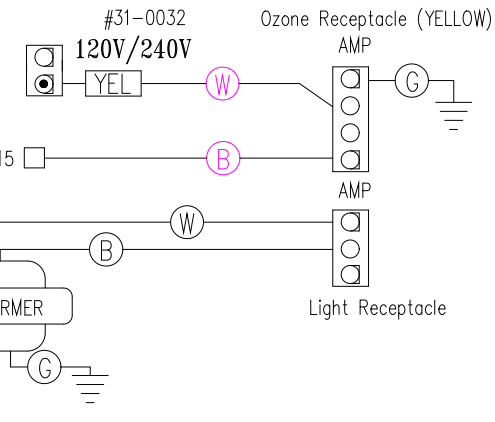
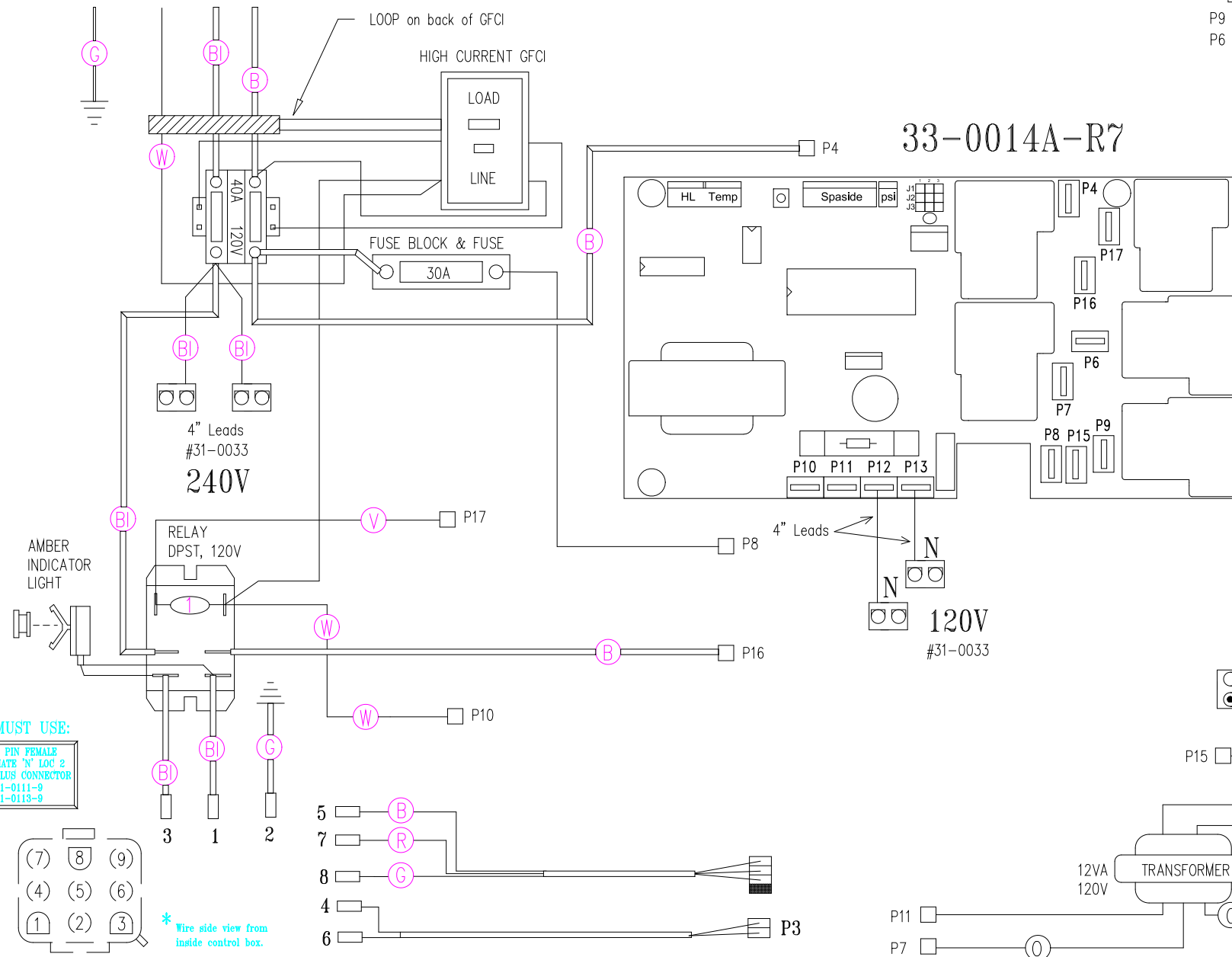
#31-0032  
120V/240V

Pump 1 Receptacle (RED)

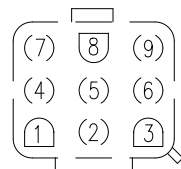


33-0014A-R7

LEGEND	
	- 1/4" QUICK CONNECT
	- 1/4" QUICK CONNECT PIGGYBACK
	- FORK CONNECTOR
	- RING CONNECTOR
	- SOCKET CONNECTOR
	- PIN CONNECTOR



**MUST USE:**  
9 PIN FEMALE  
MATE 'N' LOC 2  
PLUS CONNECTOR  
31-0111-9  
31-0113-9



\* Wire side view from inside control box.

**HYDRO-QUIP**  
CORONA, CA (909) 273-7575

Manufacture Notes: ON RELAY INDICATES CAPACITOR

Approved By:

Dwg. No.  
**E500AH-DKQY-5S**

Drawn  
BH  
Date  
8.27.01

Rev  
3

Wire Color Code

[XXX] - Denotes the color of heat shrink.  
Line 2 and Neutral need to be CONNECTED for 120V.  
Line 2 and Neutral need to be DISCONNECTED for 240V.

B - Black  
Br - Brown  
R - Red  
O - Orange  
Y - Yellow  
G - Green  
Bl - Blue  
V - Violet  
W - White  
Gr - Gray

Diagram No.  
**6009**